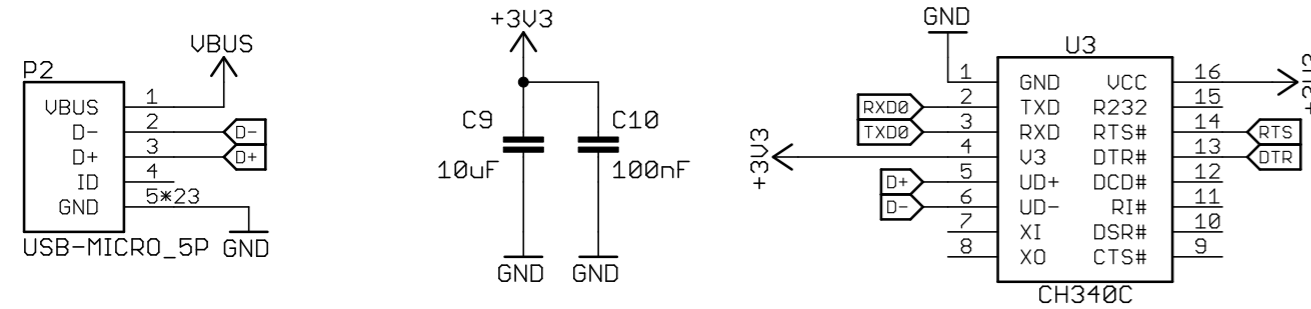
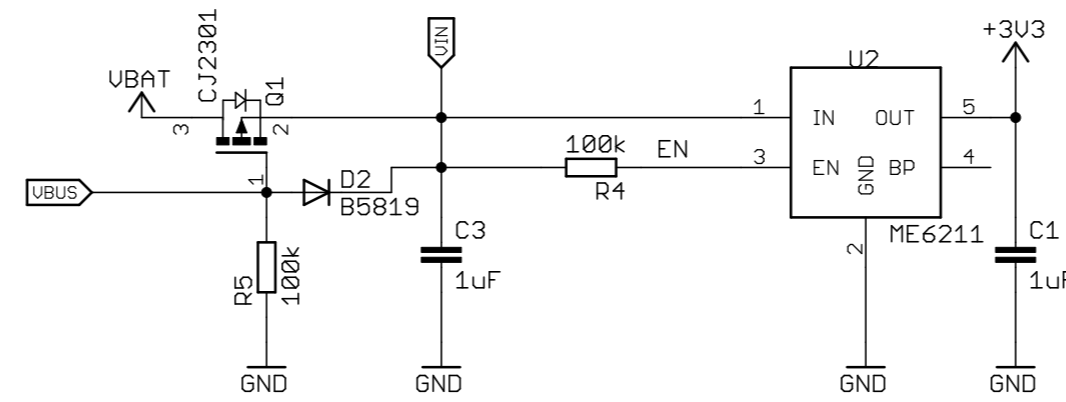


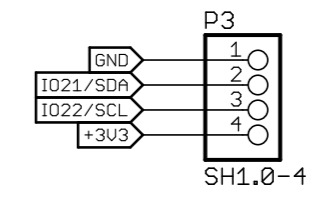
### USB - UART



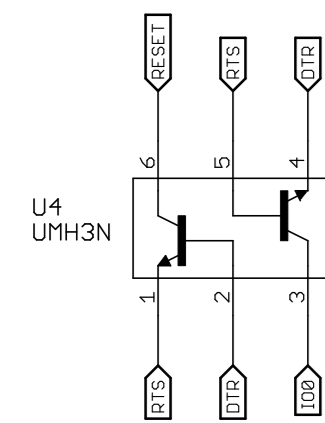
### Power



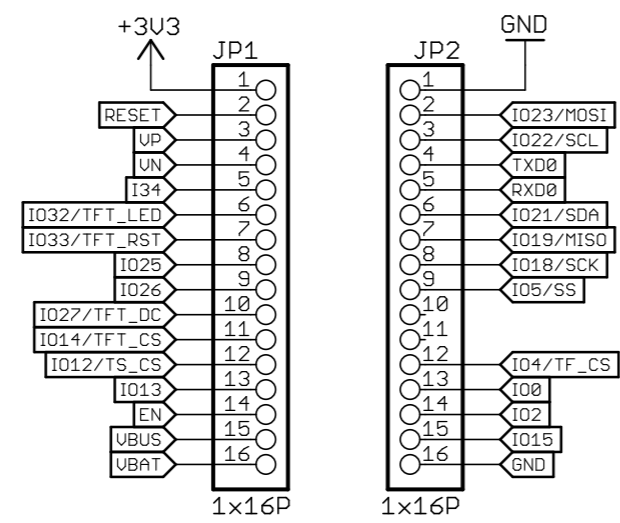
### I2C Port



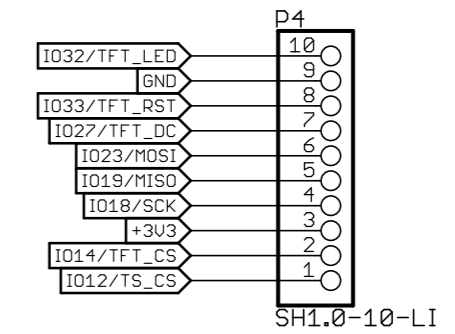
### Auto Flash



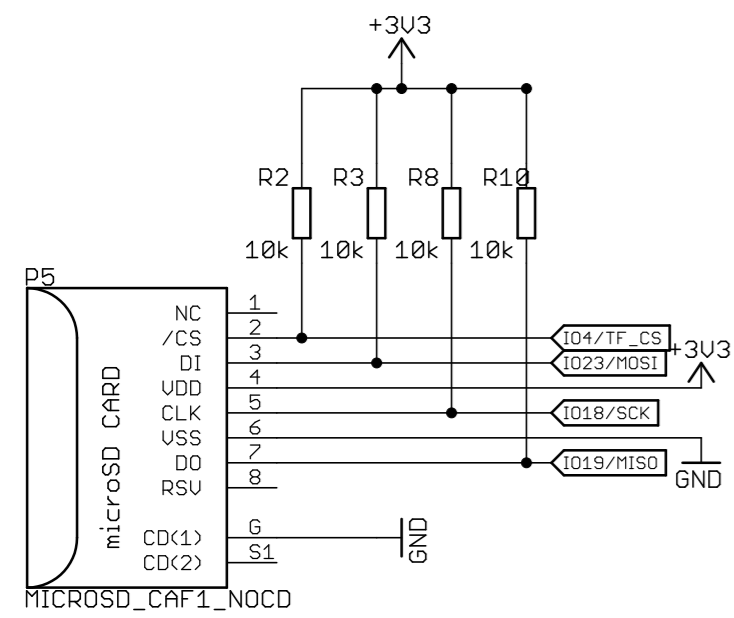
### IO



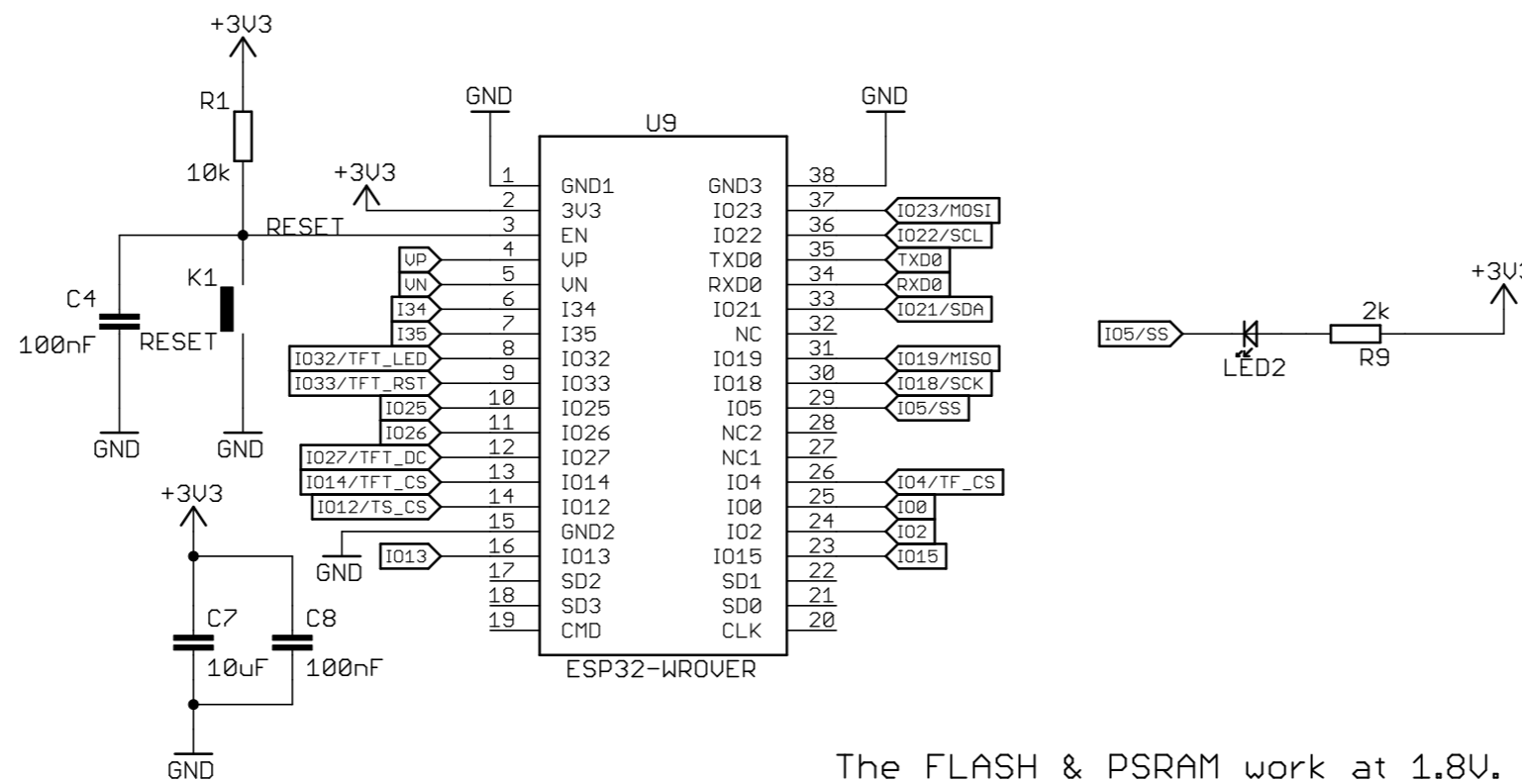
### TFT LCD Port



### Micro SD

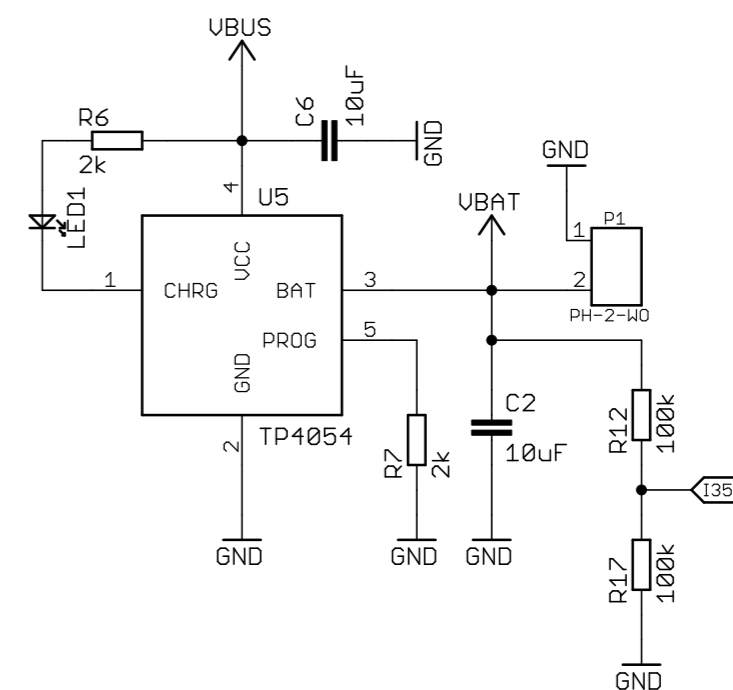


### Core



The FLASH & PSRAM work at 1.8V.

### Battery



⊗ ⊗	
TITLE: D32_pro	
Design by:	REV: 2.0.0
Date: 2018-06-13 13:37	Sheet: 1/1